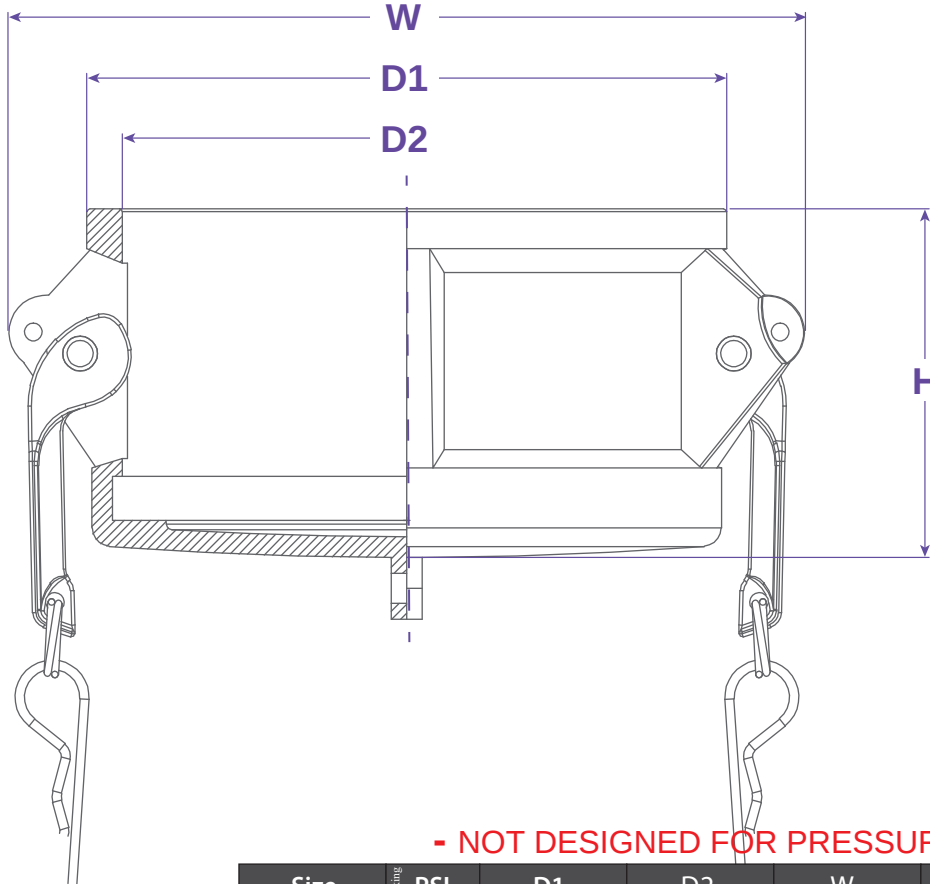




TYPE DC



- NOT DESIGNED FOR PRESSURE APPLICATIONS -

FEATURES & APPLICATIONS:

• **General Uses:**

A camlock fitting is a type of coupling that is used to connecting hose and or pipes together that transfers liquids, powders and granules. A straight through connection is made that maintains the pipe size and allows the free flow of materials being transferred.

Size	Working PSI	D1	D2	W	H	PART #
1/2"	0					DC050SS, SS304
3/4"	0	1.272	1.575	2.439	1.274	DC075SS, SS304
1"	0	1.465	1.795	2.520	1.449	DC100SS, SS304
1-1/4"	0					DC125SS, SS304
1-1/2"	0	2.122	2.500	3.465	1.807	DC150SS, SS304
2"	0	2.508	2.894	3.780	2.008	DC200SS, SS304
2-1/2"	0	3.008	3.394	4.331	2.163	DC250SS, SS304
3"	0	3.626	4.134	5.079	2.224	DC300SS, SS304
4"	0	4.732	5.197	6.181	2.283	DC400SS, SS304
5"	0	6.378	5.752	7.323	2.421	DC500SS, SS304
6"	0	6.949	7.579	9.055	2.374	DC600SS, SS304
8"	0	9.685	8.957	11.654	3.701	DC800SSPTK

WARNING: Cam & Groove Couplings should NOT be used with any compressed gas, including steam or air. Metal fittings should NOT be used with Polypropylene Cam & Groove. Dust Caps and Dust Plugs are NOT designed for pressure applications.

Note: All Seal Fast Cam & Groove Stainless Bodies are 316 Investment with 304 Handles.

TITLE TYPE DC - DUST CAP	
DISCLAIMER All drawings and specifications are subject to change without notice. Drawings represent general dimensions of our products. Seal Fast cannot guarantee the dimensions in the drawing will exactly match those in the drawing. This drawing is the property of Seal Fast Inc. Copying or reproduction of this drawing is expressly prohibited.	MATERIAL SUS 316, 304
DRAWING NOT TO SCALE	PART # DC...SS, SS304

